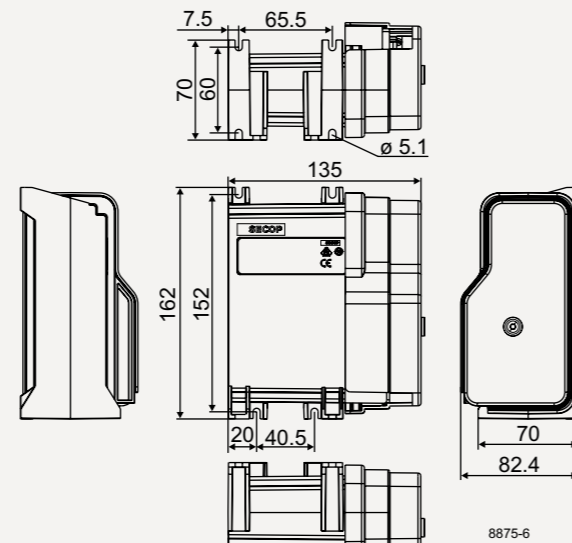


DLV-Series · R290 · 100-127 V · 220-240 V · 50/60 Hz

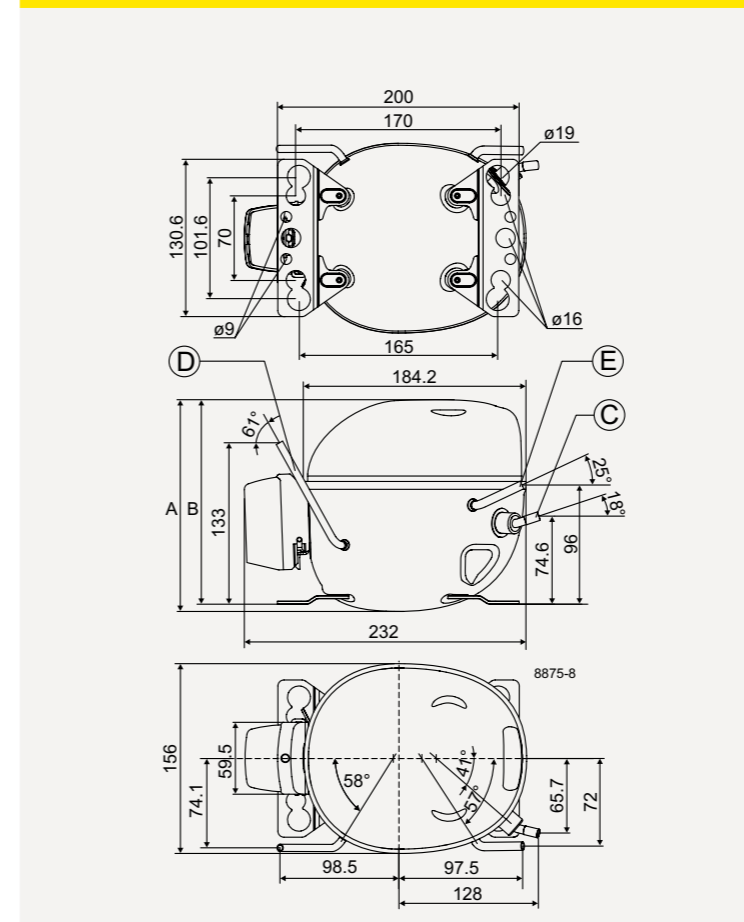
Compressor	Code number	Application	ASHRAE Capacity [W] Tc=54.4°C, Tliq=32.2°C, Tsuc=32.2°C Evaporating temperature [°C]						ASHRAE						Displacement [cm³]	Voltage and frequencies (dual frequency type with 50/60 Hz)		
			LBP rating point -23.3°C / 54.4°C		MBP rating point -6.7°C / 54.4°C		HBP rating point 7.2°C / 54.4°C		Cooling capacity		COP		Cooling capacity				COP	
			-35	-15	-5	0	10	15	[W]	[W/W]	[W]	[W/W]	[W]	[W/W]				
DLV4.0CN 2000 rpm	102H3486	L/MBP	58	179	274	333	-	-	120	1.54	229	2.22	386	3.27	4.00	90-140 V, 50/60 Hz		
DLV4.0CN 4500 rpm	102H3486	L/MBP	136	420	642	779	-	-	280	1.58	537	2.22	904	3.25	4.00	90-140 V, 50/60 Hz		
DLV5.7CN 2000 rpm	102H4604	L/MBP	109	278	413	496	-	-	195	1.69	346	2.18	570	3.06	5.70	90-140 V, 50/60 Hz		
DLV5.7CN 4500 rpm	102H4604	L/MBP	249	639	947	1138	-	-	446	1.61	795	2.08	1308	2.92	5.70	90-140 V, 50/60 Hz		
DLV4.0CN 2000 rpm	102H3496	L/MBP	63	175	269	329	-	-	119	1.51	224	2.10	-	-	4.00	180-270 V, 50/60 Hz		
DLV4.0CN 4500 rpm	102H3496	L/MBP	-	437	655	789	-	-	299	1.71	549	2.31	911	3.24	4.00	180-270 V, 50/60 Hz		
DLV5.7CN 2000 rpm	102H3497	L/MBP	100	270	404	485	-	-	185	1.64	339	2.20	-	-	5.70	180-270 V, 50/60 Hz		
DLV5.7CN 4500 rpm	102H3497	L/MBP	-	631	922	1103	-	-	448	1.68	775	2.18	1264	2.98	5.70	180-270 V, 50/60 Hz		
DLV4.0CN 2000 rpm	102H3498	L/MBP	63	175	269	329	-	-	119	1.51	224	2.10	-	-	4.00	180-270 V, 50/60 Hz		
DLV4.0CN 4500 rpm	102H3498	L/MBP	-	437	655	789	-	-	299	1.71	549	2.31	911	3.24	4.00	180-270 V, 50/60 Hz		
DLV5.7CN 2000 rpm	102H3698	L/MBP	100	270	404	485	-	-	185	1.64	339	2.20	-	-	5.70	180-270 V, 50/60 Hz		
DLV5.7CN 4500 rpm	102H3698	L/MBP	-	631	922	1103	-	-	448	1.68	775	2.18	1264	2.98	5.70	180-270 V, 50/60 Hz		

DLV-Series °CCD® Controllers

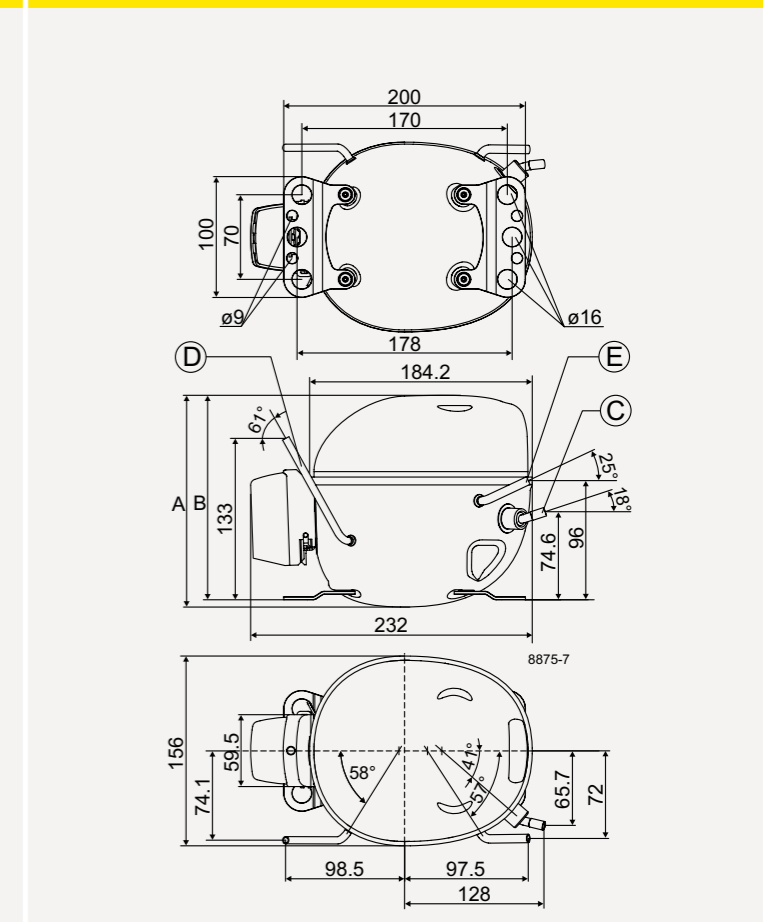
Compressor	Code number	DLV 105N4460 Standard	DLV 105N4410 Standard	DLV 105N4510 Standard, PFC
		Voltage range: 90-140 V, 50/60 Hz	Voltage range: 180-270 V, 50/60 Hz	Voltage range: 180-270 V, 50/60 Hz
		Inputs: Thermostat, defrost, communication, frequency signal	Inputs: Thermostat, defrost, communication, frequency signal	Inputs: Thermostat, defrost, communication, frequency signal
DLV4.0CN	102H3486	✓	-	-
DLV5.7CN	102H4604	✓	-	-
DLV4.0CN	102H3496	-	✓	✓
DLV5.7CN	102H3497	-	✓	✓
DLV4.0CN	102H3498	-	✓	✓
DLV5.7CN	102H3698	-	✓	✓



DLV 102H3486, 102H4604, 102H3496, 102H3497



DLV 102H3498, 102H3698

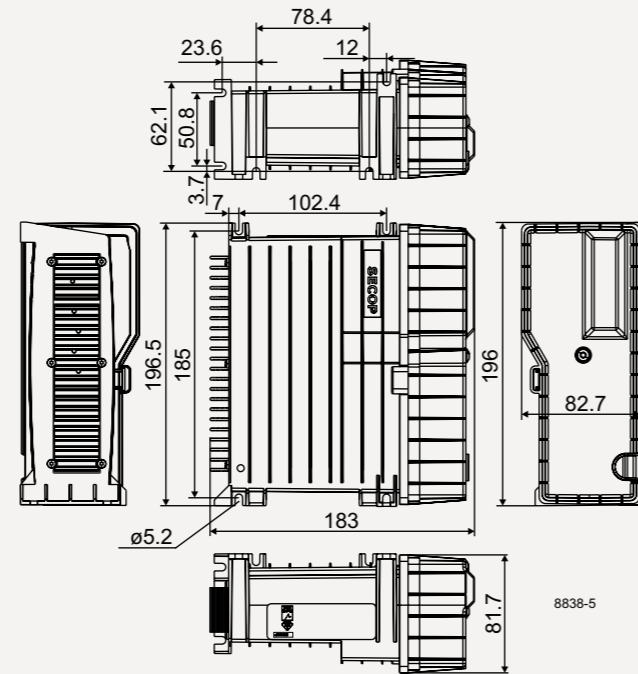


NLV-Series · R290 · 100–240 V · 220–240 V · 50/60 Hz

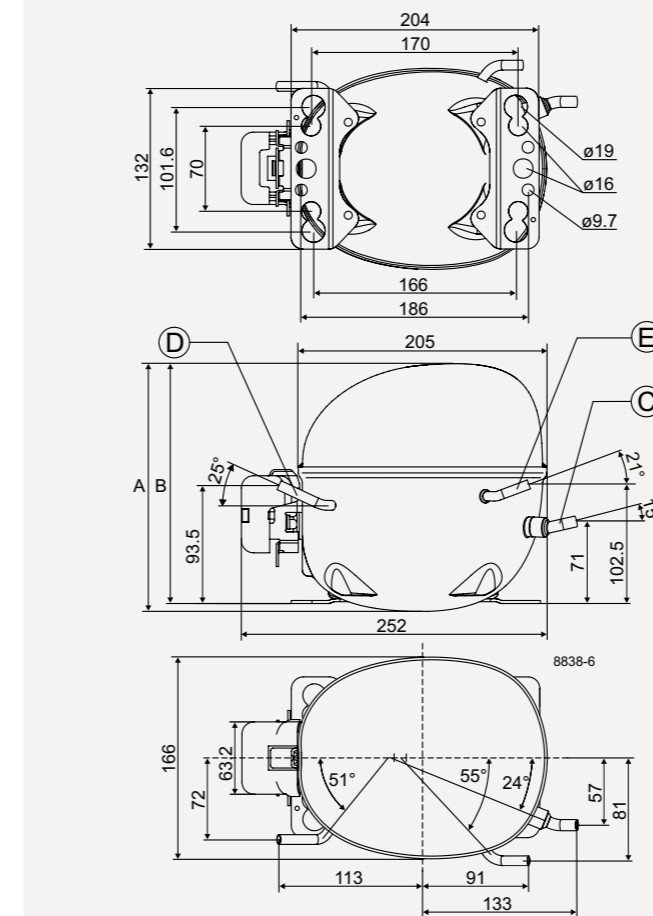
Compressor	Code number	Application	ASHRAE Capacity [W] Tc=54.4°C, Tliq=32.2°C, Tsuc=32.2°C Evaporating temperature [°C]						ASHRAE						Displacement [cm³]	Voltage and frequencies (dual frequency type with 50/60 Hz)		
			LBP rating point -23.3°C / 54.4°C		MBP rating point -6.7°C / 54.4°C		HBP rating point 7.2°C / 54.4°C		Cooling capacity		COP		Cooling capacity				COP	
			-35	-15	-5	0	10	15	[W]	[W/W]	[W]	[W/W]	[W]	[W/W]			[W]	[W/W]
NLV8.0CN 2000 rpm	105H7800	L/MBP	150	388	584	703	-	-	265	1.73	489	2.26	804	3.23	7.96	90–270 V, 50/60 Hz		
NLV8.0CN 4500 rpm	105H7800	L/MBP	-	826	1252	1510	-	-	558	1.72	1049	2.29	1731	3.14	7.96	90–270 V, 50/60 Hz		
NLV10CN 2000 rpm	105H7000	L/MBP	203	509	758	907	-	-	352	1.74	636	2.20	1031	3.08	10.09	90–270 V, 50/60 Hz		
NLV10CN 4500 rpm	105H7000	L/MBP	-	1085	1617	1941	-	-	749	1.76	1357	2.22	2217	2.93	10.09	90–270 V, 50/60 Hz		
NLV12.6CN 2000 rpm	105H6355	L/MBP	246	605	897	1076	-	-	422	1.68	753	2.17	1230	2.86	12.55	180–270 V, 50/60 Hz		
NLV12.6CN 2000 rpm	105H6355	L/MBP	-	1344	1995	2393	-	-	938	1.66	1675	2.05	2736	2.62	12.55	180–270 V, 50/60 Hz		
NLV8.0CN 2000 rpm	105H7801	L/MBP	150	388	584	703	-	-	265	1.73	489	2.26	804	3.23	7.96	90–270 V, 50/60 Hz		
NLV8.0CN 4500 rpm	105H7801	L/MBP	-	826	1252	1510	-	-	558	1.72	1049	2.29	1731	3.14	7.96	90–270 V, 50/60 Hz		
NLV10CN 2000 rpm	105H7001	L/MBP	203	509	758	907	-	-	352	1.74	636	2.20	1031	3.08	10.09	90–270 V, 50/60 Hz		
NLV10CN 4500 rpm	105H7001	L/MBP	-	1085	1617	1941	-	-	749	1.76	1357	2.22	2217	2.93	10.09	90–270 V, 50/60 Hz		
NLV12.6CN 2000 rpm	105H6356	L/MBP	246	605	897	1076	-	-	422	1.68	753	2.17	1230	2.86	12.55	180–270 V, 50/60 Hz		
NLV12.6CN 2000 rpm	105H6356	L/MBP	-	1344	1995	2393	-	-	938	1.66	1675	2.05	2736	2.62	12.55	180–270 V, 50/60 Hz		

NLV-Series °CCD® Controllers

Compressor	Code number	NLV 105N4710	NLV 105N4760
		Standard, PFC	Multi Voltage, PFC
		Voltage range: 180–270 V, 50/60 Hz	Voltage range: 90–270 V, 50/60 Hz
		Inputs: Thermostat, defrost, communication, frequency signal	Inputs: Thermostat, defrost, communication, frequency signal
NLV8.0CN	105H7800	✓	✓
NLV10CN	105H7000	✓	✓
NLV12.6CN	105H6355	✓	✓
NLV8.0CN	105H7801	✓	✓
NLV10CN	105H7001	✓	✓
NLV12.6CN	105H6356	✓	✓



NLV



Compressor	Code number	Application	ASHRAE Capacity [W] Tc=54.4°C, Tliq=32.2°C, Tsuc=32.2°C Evaporating temperature [°C]						ASHRAE						Displacement [cm³]	Voltage and frequencies [*dual frequency type with 50/60 Hz]	Compressor cooling [refer to data sheet]						
			-35		-15		-5		0		10		15					LBP rating point -23.3°C / 54.4°C		MBP rating point -6.7°C / 54.4°C		HBP rating point 7.2°C / 54.4°C	
			Capacity [W]	COP [W/W]	Capacity [W]	COP [W/W]	Capacity [W]	COP [W/W]	Capacity [W]	COP [W/W]	Capacity [W]	COP [W/W]	Capacity [W]	COP [W/W]				Capacity [W]	COP [W/W]	Capacity [W]	COP [W/W]	Capacity [W]	COP [W/W]
TL3CN	102H4380	L/MBP	49	161	249	303	-	-	105	0.91	208	1.38	-	-	3.13	198-254 V, 50 Hz	F1						
TL4CN	102H4490	L/MBP	76	212	316	379	-	-	146	1.07	265	1.46	-	-	3.86	198-254 V, 50 Hz	F1						
TL5CN	102H4590	L/MBP	109	296	436	521	-	-	205	1.18	367	1.53	-	-	5.08	198-254 V, 50 Hz	F1						
DLE4CN	102H4465	L/MBP	103	276	400	468	-	-	191	1.48	338	1.97	511	2.60	4.00	198-254 V, 50 Hz	F2						
DLE4.8CN	102H4565	L/MBP	128	339	494	595	-	-	242	1.56	415	1.98	693	2.81	4.80	198-254 V, 50 Hz	F2						
DLE5.7CN	102H4653	L/MBP	168	415	603	722	-	-	298	1.53	507	1.97	832	2.70	5.70	198-254 V, 50 Hz	F2						
DLE6.5CN	102H4765	L/MBP	168	446	652	782	-	-	315	1.53	548	1.92	902	2.62	6.50	198-254 V, 50 Hz	F2						
DLE7.5CN	102H4853	L/MBP	209	519	765	918	-	-	366	1.47	643	1.91	1055	2.56	7.48	198-254 V, 50 Hz	F2						
DLE4CNT	102H4460	L/MBP	103	276	400	468	-	-	191	1.48	338	1.97	511	2.60	4.00	187-254 V, 50 Hz	F2						
DLE5.7CNT	102H4685	L/MBP	168	415	603	722	-	-	298	1.53	507	1.97	832	2.70	5.70	187-254 V, 50 Hz	F2						
NL7CN	105H6756	L/MBP	174	474	712	859	-	-	325	1.35	597	1.81	-	-	7.27	198-254 V, 50 Hz	F1						
NL9CN	105H6856	L/MBP	205	548	815	979	-	-	380	1.39	684	1.80	-	-	8.35	198-254 V, 50 Hz	F1						
NLE8.8CN	105H6880	L/MBP	236	611	893	1068	1497	-	431	1.57	751	1.98	1220	2.68	8.76	198-254 V, 50 Hz	F2						
NLE10CN	105H6175	L/MBP	267	702	1038	1240	1722	-	486	1.47	872	1.89	1409	2.53	10.09	198-254 V, 50 Hz	F2						
NLE11CNL	105H6174	LBP	300	778	1143	-	-	-	540	1.52	962	1.92	-	-	11.15	198-254 V, 50 Hz	F2						
NLE12.6CNL	105H6378	LBP	355	861	1274	-	-	-	611	1.63	1069	2.00	-	-	12.55	198-254 V, 50 Hz	F2						
NLE11MN	105H6177	MBP	-	795	1166	1391	1929	-	562	1.58	981	2.01	1579	2.70	11.15	198-254 V, 50 Hz	F2						
NLE12.6MN	105H6377	MBP	-	855	1261	1510	2114	-	602	1.56	1060	1.97	1725	2.56	12.55	198-254 V, 50 Hz	F2						
NLU8.8DN	105H6085	M/HBP	-	569	862	1045	1488	1751	392	1.60	721	2.17	1210	3.09	8.76	187-254 V, 50 Hz	F2						
SC10CNX	104H8065	L/MBP	175	547	853	1042	-	-	358	1.27	711	1.79	-	-	10.29	198-254 V, 50 Hz	F2						
SC12CNX	104H8265	L/MBP	227	711	1110	1372	-	-	475	1.31	923	1.79	-	-	12.87	198-254 V, 50 Hz	F2						
SC15CNX	104H8565	L/MBP	251	918	1415	1717	-	-	597	1.35	1183	1.83	-	-	15.28	198-254 V, 50 Hz	F2						
SC18CNX	104H8865	L/MBP	315	1106	1684	2032	-	-	727	1.36	1410	1.74	-	-	17.69	198-254 V, 50 Hz	F2						
SC12CNX.2	104H8266	LBP	230	742	-	-	-	-	491	1.20	-	-	-	-	12.87	198-254 V, 50 Hz	F2						
SC15CNX.2	104H8566	LBP	345	928	-	-	-	-	624	1.32	-	-	-	-	15.28	198-254 V, 50 Hz	F2						
SC18CNX.2	104H8866	LBP	342	1194	-	-	-	-	797	1.31	-	-	-	-	17.69	198-254 V, 50 Hz	F2						
SC21CNX.2	104H8166	LBP	462	1399	-	-	-	-	962	1.45	-	-	-	-	20.95	198-254 V, 50 Hz	F2						
SC10MNX	104H8075	MBP	-	575	921	1132	-	-	351	1.19	766	1.70	1329	2.57	10.29	198-254 V, 50 Hz	F2						
SC12MNX	104H8275	MBP	-	757	1195	1461	-	-	474	1.13	995	1.77	1707	2.61	12.87	198-254 V, 50 Hz	F2						
SC15MNX	104H8575	MBP	-	967	1409	1679	-	-	680	1.51	1187	1.75	1907	2.40	15.28	198-254 V, 50 Hz	F2						
SC18MNX	104H8875	MBP	-	1109	1622	1943	-	-	777	1.31	1364	1.71	2237	2.33	17.69	198-254 V, 50 Hz	F2						
SCE15CNLX	104H8548	LBP	319	1004	1522	-	-	-	667	1.52	1276	2.05	-	-	15.28	198-254 V, 50 Hz	F2						
SCE18CNLX	104H8848	LBP	404	1179	1775	-	-	-	793	1.51	1489	2.03	-	-	17.69	198-254 V, 50 Hz	F2						
SCE21CNLX	104H8163	LBP	512	1397	2081	-	-	-	956	1.61	1748	2.08	-	-	20.95	198-254 V, 50 Hz	F2						
SCE21CNLX	104H8164	LBP	497	1381	2062	-	-	-	939	1.49	1732	1.87	-	-	20.95	207-242 V, 50 Hz	F2						
SCE15CNX	104H8540	L/MBP	319	1002	1524	1836	-	-	664	1.62	1277	2.23	2100	3.13	15.28	198-254 V, 50 Hz	F2						
SCE18CNX	104H8840	L/MBP	400	1206	1818	2183	-	-	809	1.63	1525	2.24	2488	3.14	17.69	198-254 V, 50 Hz	F2						
SCE15MNX	104H8549	MBP	-	995	1513	1822	2550	-	659	1.49	1267	2.04	2083	2.84	15.28	198-254 V, 50 Hz	F2						
SCE18MNX	104H8849	MBP	-	1193	1789	2144	-	-	809	1.46	1501	1.97	2437	2.75	17.69	198-254 V, 50 Hz	F2						
SCE21MNX	104H8160	MBP	-	1443	2091	2492	-	-	1002	1.64	1762	2.11	2852	2.91	20.95	198-254 V, 50 Hz	F2						

Electrical equipment

Dimensions						LST (RSIR & RSCR) refer to data sheet for more info					Run capacitor (RC)		HST (CSIR & CSR) *alt. cable lengths avail.			LST/HST		
Height [mm]		Connectors location / I.D. [mm]				alt. connectors available	PTC starting device		PTC starting device with RC connector		ePTC	→ optional → compulsory*		Starting relay	Starting capacitor	Starting device*	Cord relief	Cover
A	B	Suction	Process	Dis-charge E (I.D.)			Spades		Spades		Spades	Spades		Spades				
		C (I.D.)	D (I.D.)	E (I.D.)	F (I.D.)		6.3 mm	4.8 mm	6.3 mm	4.8 mm	4.8 mm	6.3 mm	4.8 mm	6.3 mm	6.3 mm			
163	159	6.2	6.2	5	X	103N0011	103N0018	-	-	-	-	-	117U7004	117U5014	-	103N1010	103N2010	
173	169	6.2	6.2	5	-	103N0011	103N0018	-	-	-	-	-	117U7004	117U5014	-	103N1010	103N2010	
173	169	6.2	6.2	5	X	103N0011	103N0018	103N0016	103N0021	-	117-7117	117-7119	117U7000	117U5014	-	103N1010	103N2010	
175	169	6.2	6.2	5	X	-	-	-	-	103N0050	-	117-7129	117U7000	117U5014	-	103N1010	103N0491	
175	169	8.2	6.2	6.2	X	-	-	-	-	103N0050	-	117-7129	117U7001	117U5014	-	103N1010	103N0491	
175	169	8.2	6.2	6.2	X	-	-	-	-	103N0050	-	117-7129	117U7015	117U5015	-	103N1010	103N0491	
175	169	8.2	6.2	6.2	X	-	-	-	-	103N0050	-	117-7129	117U7016	117U5015	-	103N1010	103N0491	
175	169	8.2	6.2	6.2	X	-	-	-	-	103N0050	-	117-7129	117U7002	117U5015	-	103N1010	103N0491	
175	169	6.2	6.2	5	-	-	-	-	-	103N0050	-	117-7129	117U7000	117U5014	-	103N1010	103N0491	
175	169	8.2	6.2	6.2	X	-	-	-	-	103N0050	-	117-7129	117U7015	117U5015	-	103N1010	103N0491	
203	197	8.2	6.2	6.2	-	103N0011	103N0018	103N0016	103N0021	-	117-7117	117-7119	117U7002	117U5015	-	103N1010	103N2010	
203	197	8.2	6.2	6.2	X	103N0011	103N0018	103N0016	103N0021	-	117-7117	117-7119	117U7002	117U5015	-	103N1010	103N2010	
203	197	8.2	6.2	6.2	X	-	-	-	-	103N0050	-	117-7119	117U7002	117U5015	-	103N1010	103N2010	
203	197	8.2	6.2	6.2	X	-	-	-	-	103N0050	-	117-7119	117U7002	117U5015	-	103N1010	103N2010	
203	197	8.2	6.2	6.2	X	-	-	-	-	103N0050	-	117-7119	117U7003	117U5015	-	103N1010	103N2010	
203	197	8.2	6.2	6.2	-	-	-	-	-	103N0050	-	117-7119	117U7003	117U5015	-	103N1010	103N2010	
203	197	8.2	6.2	6.2	X	-	-	-	-	103N0050	-	117-7119	117U7005	117U5015	-	103N1010	103N2010	
203	197	8.2	6.2	6.2	X	-	-	-	-	103N0050	-	117-7119	117U7011	117U5015	-	103N1010	103N2010	
203	197	8.2	6.2	6.2	-	-	-	-	-	-	117-7111 *	-	117-7425	117U5389	-	103N1010	103N2010	
209	203	8.2	6.2	6.2	-	-	-	-	-	-	-	-	-	117U5372	117-7025	103N1004	103N2009	
209	203	8.2	6.2	6.2	-	-	-	-	-	-	-	-	-	117U5372	117-7025	103N1004	103N2009	
209	203	10.2	6.2	6.2	X	-	-	-	-	-	-	-	-	117U5373	117-7031	103N1004	103N2009	
209	203	10.2	6.2	6.2	X	-	-	-	-	-	-	-	-	117U5373	117-7052	103N1004	103N2009	
209	203	8.2	6.2	6.2	X	-	-	-	-	-	-	-	117U7003	117U5017	-	103N1004	103N2009	
209	203	8.2	6.2	6.2	-	-	-	-	-	-	-	-	117U7005	117U5017	-	103N1004	103N2009	
219	213	10.2	6.2	6.2	-	-	-	-	-	-	-	-	117U7011	117U5017	-	103N1004	103N2009	
219	213	10.2	6.2	6.2	X	-	-	-	-	-	-	-	117U7013	117U5012	-	103N1004	103N2009	
209	203	8.2	6.2	6.2	-	-	-	-	-	-	-	-	117U7005	117U5017	-	103N1004	103N2008	
219	213	8.2	6.2	6.2	-	-	-	-	-	-	-	-	117U7019	117U5017	-	103N1004	103N2008	
219	213	8.2	6.2	6.2	-	-	-	-	-	-	-	-	117U7019	117U5017	-	103N1004	103N2008	
219	213	8.2	6.2	6.2	-	-	-	-	-	-	-	-	117U7011	117U5017	-	103N1004	103N2008	
219	213	10.2	6.2	6.2	-	-	-	-										